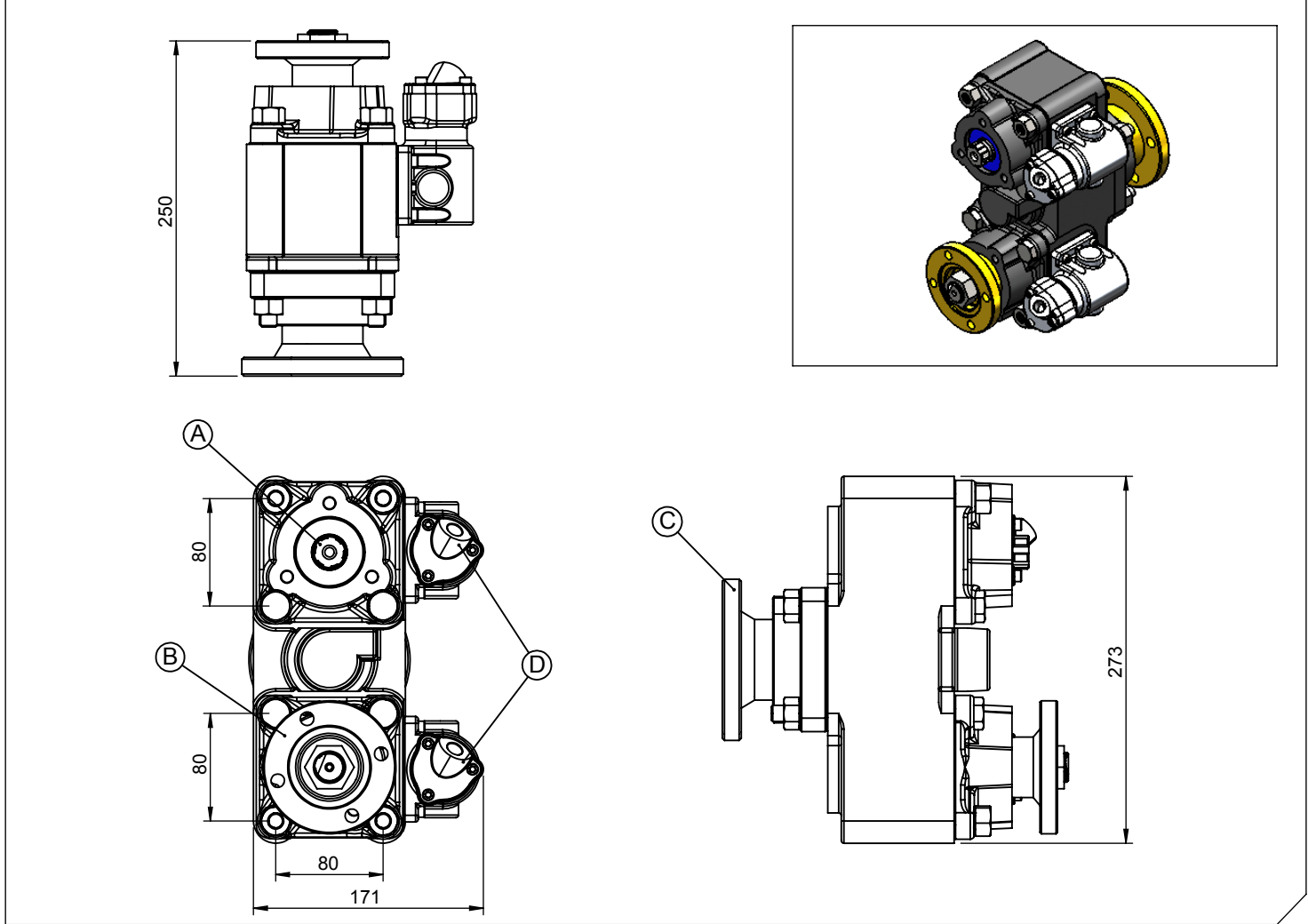


Application Type	Horizontal or Vertical Usage
Gearbox Type	3 Axis RPM Increaser/Decreaser

Product Code	KRD.05
---------------------	---------------



Products Views



Component Details

- A : Reductor Output Flanged (Standard DIN 5463 6X21X25 UNI 3 Bolt) Direct mounting ISO 4 bolt mtg. adapter (Optional)
- B : Reductor Output Flanged (DIN100 6x26x30) (Optional)
- C : Reductor Input Flanged (DIN120 8x32x36) (Optional)
- D : Air Inlet R 1/4"

Technical Details

Max. Power	Max. Torque		Input/Output	Mounting Type	Control Type
	Nm	kgm			
kW					
27	275	28	1/1.2	Split Shaft	Pneumatic
				Weight	Sense of Rotation
				25 kg	Opposite of Input